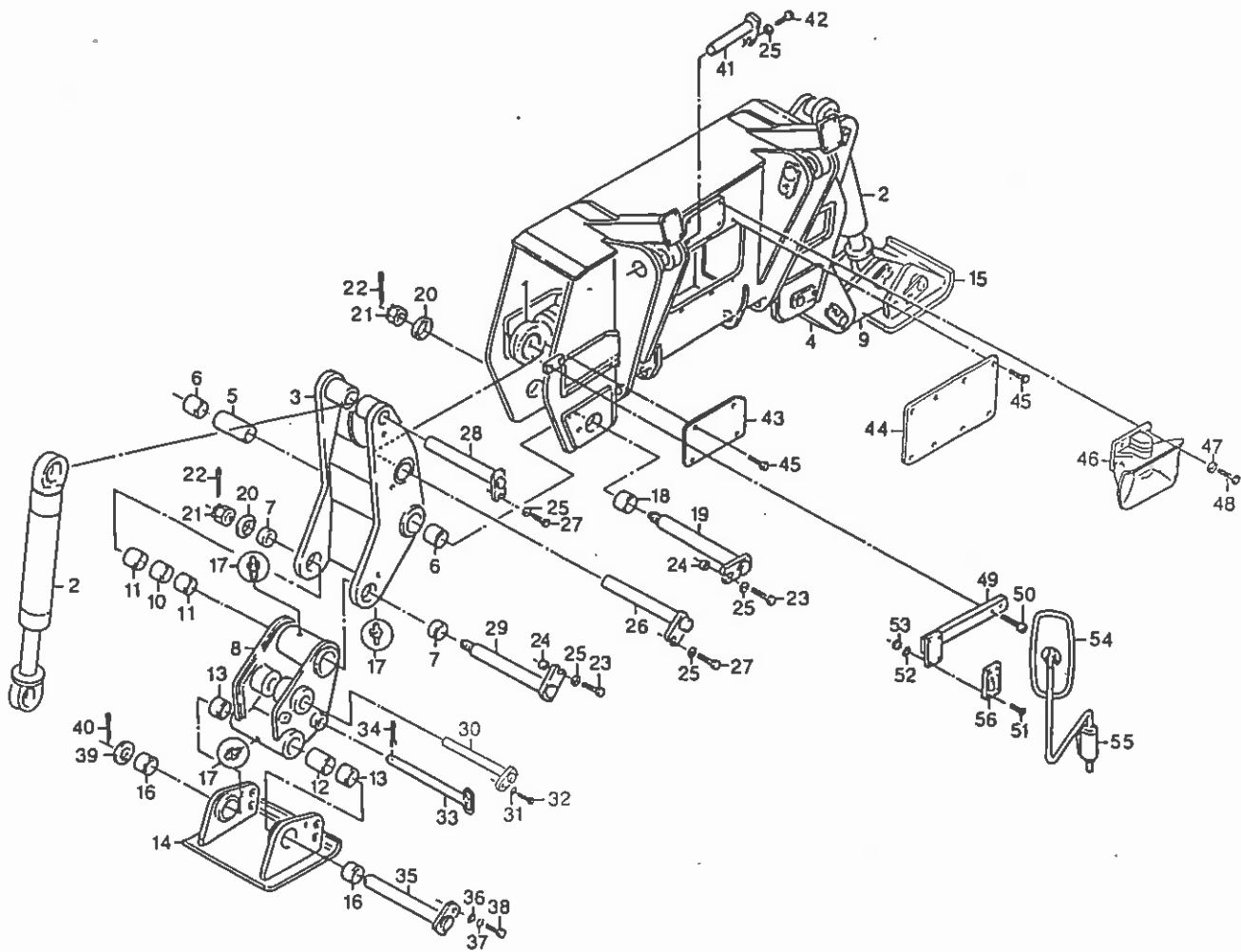


POS NO.	CO DE	ORDER NO.	STK QNT	BENENNUNG	DESCRIPTION	DESIGNATION	BEMERKUNG, REMARK, REMARQUE	10.01.96
1			1	ZYLINDER	RAM	VERIN	TAF.FIG.PLAN.090.603.51.0..0164	
2			2	ZYLINDER	RAM	VERIN	TAF.FIG.PLAN.090.603.55.0..0164	
3	3121615		1	WINKELHEBEL VR HL+BU	TOGGLE LEVER FR RL+B	LEVIER COUDE AV D AR G+DO	POS.5-7	
4	3121659		1	WINKELHEBEL VL HR+BU	TOGGLE LEVER FL RR+B	LEVIER COUDE AV G AR D+DO	POS.5-7	
5	2082433		2	DISTANZBU 70,0X 136	SPACER 70,0X 136	DOUILLE ENTRET 70,0X 136		
6	V 0306689		4	EINSPANNBUCHSE	SPLIT BUSH	DOUILLE DE TENSION		
7	V 0342990		4	EINSPANNBUCHSE	SPLIT BUSH	DOUILLE DE TENSION		
8	3120272		1	ABSTFUSS OT VR HL+BU	STAB FOOT UP FR RL+B	PIED STAB P S AV D AR G+D	POS.10-13	
9	3120261		1	ABSTFUSS OT VL HR+BU	STAB FOOT UP FL RR+B	PIED STAB P S AV G AR D+D	POS.10-13	
10	2082308		2	DISTANZBU 70,0X 54	SPACER 70,0X 54	DOUILLE ENTRET 70,0X 54		
11	V 0306689		4	EINSPANNBUCHSE	SPLIT BUSH	DOUILLE DE TENSION		
12	2082342		2	DISTANZBU 70,0X 94	SPACER 70,0X 94	DOUILLE ENTRET 70,0X 94		
13	V 0360583		4	EINSPANNBUCHSE	SPLIT BUSH	DOUILLE DE TENSION		
14	3120238		1	ABSTFUSS UT VR HL+BU	STAB FOOT LP FR RL+B	PIED STAB P I AV D AR G+D	POS.16	
15	3120227		1	ABSTFUSS UT VL HR+BU	STAB FOOT LP FL RR+B	PIED STAB P I AV G AR D+D	POS.16	
16	V 0342990		4	EINSPANNBUCHSE	SPLIT BUSH	DOUILLE DE TENSION		
17	0300569		6	SCHMIERNIPPEL	GREASE NIPPLE	GRAISSEUR		
18	V 2329102		4	LAGERBU 60/ 72X 50	BUSH 60/ 72X 50	COUSSINET 60/ 72X 50		
19	V 2216082		2	BOLZEN 6109 60X 355	PIN 6109 60X 355	BOULON 6109 60X 355		
20	0823845		4	SCHEIBE A3C	WASHER A3C	RONDELLE A3C		
21	1616415		4	KRONENMUTTER A3C	CROWN NUT A3C	ECROU CRENELE A3C		
22	1307206		4	SPLINT A3C	SPLIT PIN A3C	GOUILLE FENDUE A3C		
23	1627236		4	SECHSKTSHR A3C	BOLT A3C	VIS A TETE SIX PA A3C		
24	2303066		4	DISTANZBU 31,8X 20	SPACER 31,8X 20	DOUILLE ENTRET 31,8X 20		
25	0893032		10	SCHEIBE A3C	WASHER A3C	RONDELLE A3C		
26	V 0666980		2	BOLZEN 60X 350/ 293	PIN 60X 350/ 293	BOULON 60X 350/ 293		
27	1615312		4	SECHSKTSHR A3C	BOLT A3C	VIS A TETE SIX PA A3C		
28	V 1964529		2	BOLZEN 6106 35X 230	PIN 6106 35X 230	BOULON 6106 35X 230		
29	V 2216059		2	BOLZEN 6109 60X 230	PIN 6109 60X 230	BOULON 6109 60X 230		
30	V 1964483		2	BOLZEN 6106 35X 185	PIN 6106 35X 185	BOULON 6106 35X 185		
31	0893087		2	SCHEIBE A3C	WASHER A3C	RONDELLE A3C		
32	1610782		2	SECHSKTSHR A3C	BOLT A3C	VIS A TETE SIX PA A3C		
33	2270873		2	A-BOLZ 6125 30X 255	PIN 6125 30X 255	BOULON 6125 30X 255		

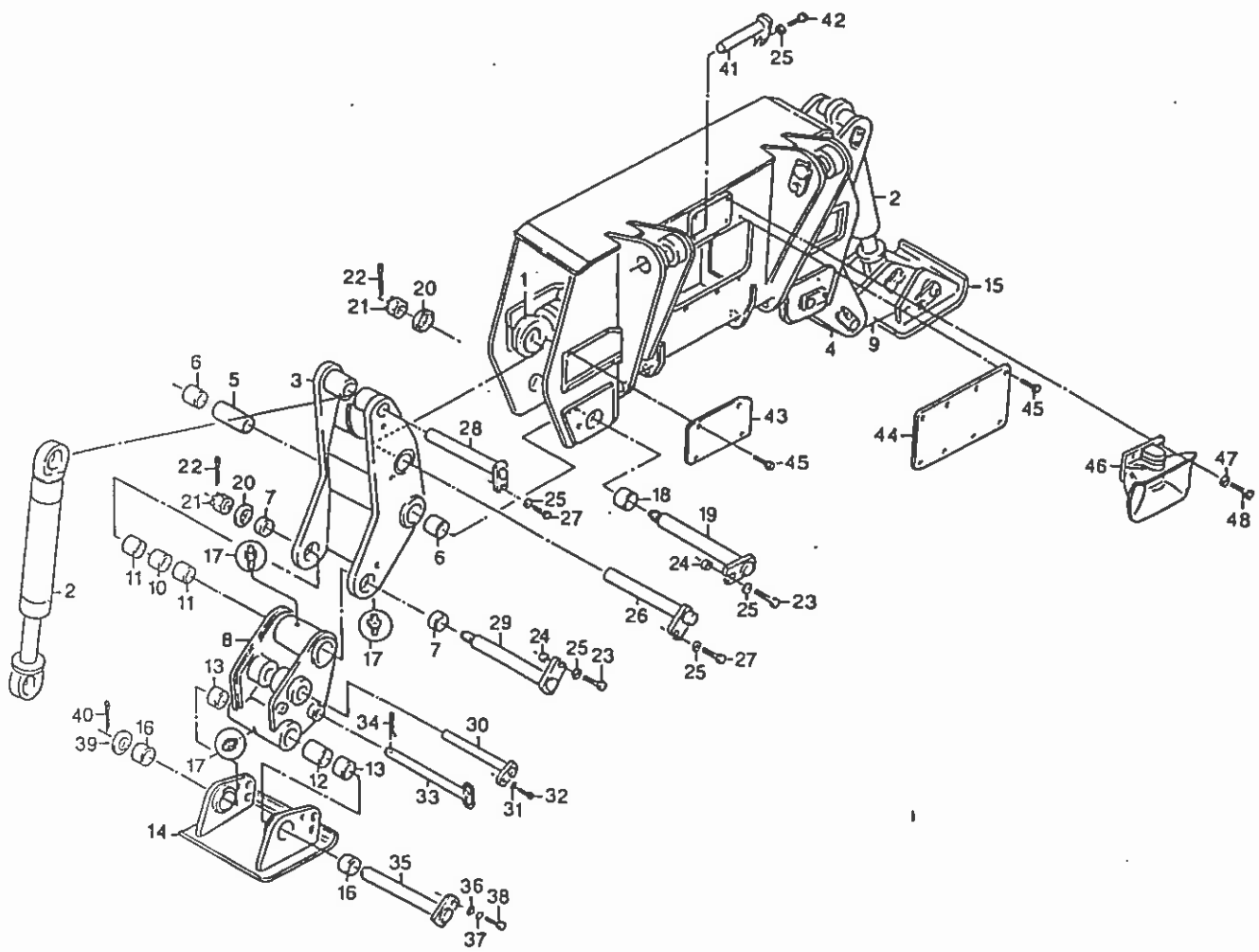


POS NO.	CO DE	ORDER NO.	STK QNT	BENENNUNG	DESCRIPTION	DESIGNATION	BEMERKUNG, REMARK, REMARQUE	10.01.96
------------	----------	--------------	------------	-----------	-------------	-------------	-----------------------------	----------

34		0355213	2	FEDERSPLINT 8,0 2F	SPRING PIN 8.0 2-F	Goup fendue ress 8,0 doub		
35	V	3118643	2	BOLZEN 6107 60X 258	PIN 6107 60X 258	Boulon 6107 60x 258		
36		0470531	2	SCHEIBE	WASHER	Rondelle		
37		1618406	2	FEDERING A3C	SPRING WASHER A3C	Rondelle a ressort A3C		
38		1640813	2	SECHSKTSHR A3C	BOLT A3C	vis a tete six pa A3C		
39		0410062	2	SCHEIBE A3C	WASHER A3C	Rondelle A3C		
40		1309537	2	SPLINT A3C	SPLIT PIN A3C	Goupille fendue A3C		
41	V	1964632	2	BOLZEN 6106 45X 170	PIN 6106 45X 170	Boulon 6106 45x 170		
42		1627214	2	SECHSKTSHR A3C	BOLT A3C	vis a tete six pa A3C		
43		1879536	4	BLECH	PLATE	Toile		
44		0775460	1	ABDECKBLECH	COVER PLATE	Toile de couverture		
44	+	4048093	1	ABDECKBLECH	COVER PLATE	Toile de couverture		
45		1331546	32	SECHSKTSHR A3C	BOLT A3C	vis a tete six pa A3C		
46		0393468	1	ANHAENGERKUPPLUNG	TRAILER COUPLING	Disp d'attel de remorque		
47		1301868	4	FEDERING A3C	SPRING WASHER A3C	Rondelle a ressort A3C		
48		0893316	4	SECHSKTSHR A3C	BOLT A3C	vis a tete six pa A3C		
49	*	2220851	1	HALTER	HOLDER	SUPPORT		
50	*	0893214	2	SECHSKTSHR A3C	BOLT A3C	vis a tete six pa A3C		
51	*	1633405	4	SENKSCHRAUBE A3C	COUNTERSUNK SCRE A3C	vis nyee A3C		
52	*	0863138	4	SCHEIBE A3C	WASHER A3C	Rondelle A3C		
53	*	0893167	4	SECHSKANTMU A3C	NUT A3C	ecrou a six pans A3C		
54	*	0378867	1	RUECKSPIEGEL R	REAR VIEW MIRROR R	retroiseur droite		
55	*	1625870	1	SPIEGELSTANGE	MIRROR ROD	tige de miroir		
56	*	1639592	1	GRUNDPLATTE	BASE PLATE	plaque de base		

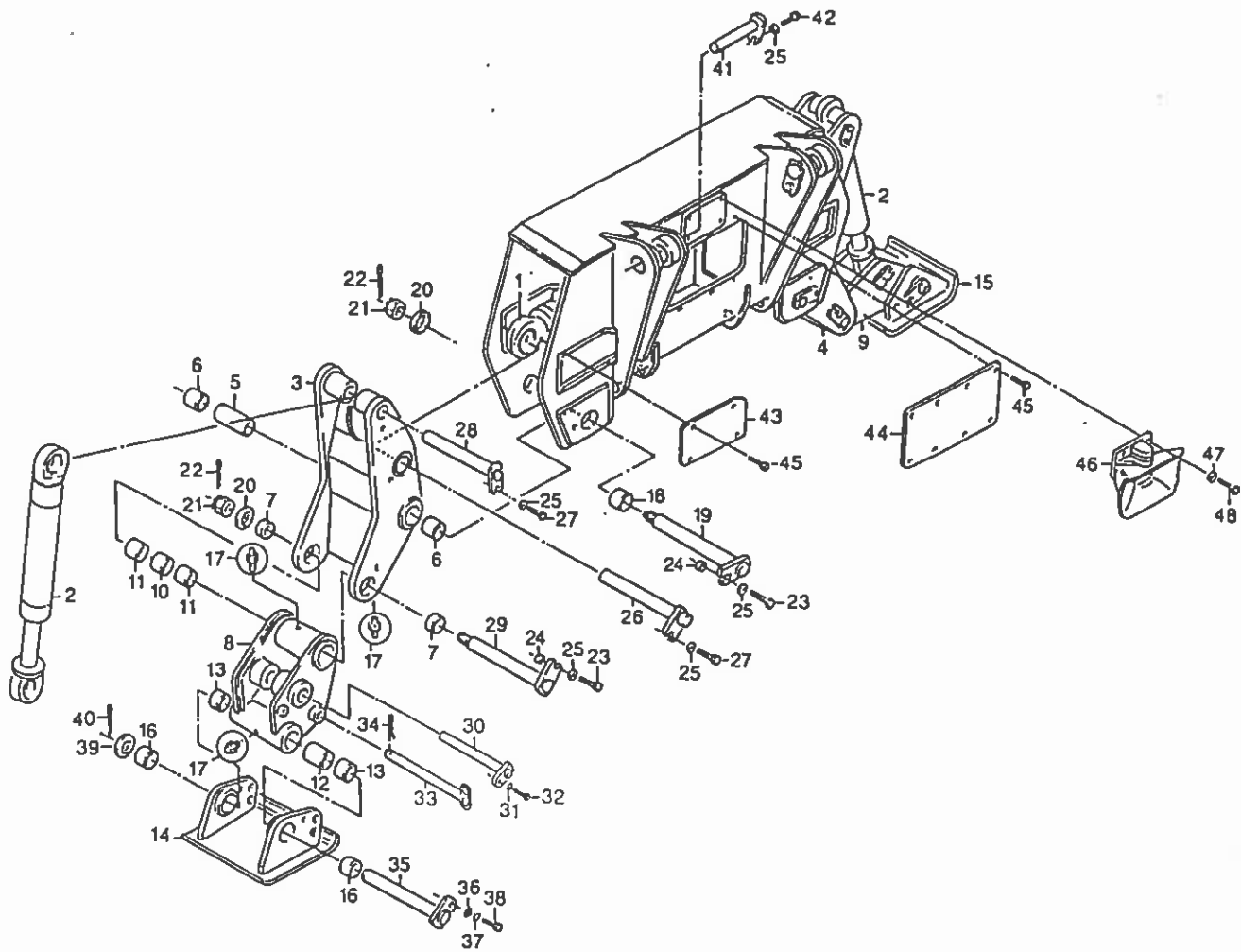
* FUER GRUNDARM C 30,0 FOR BASE BOOM C 30,0 POUR BRAS PORTE-FL.C 30,0

+ AB FABR. NR.: 138..42226 FROM SERIAL NO.: 138..42226 A PARTIR DU NO. DE FABR.: 138..42226



POS NO.	CO DE	ORDER NO.	STK QNT	BENENNUNG	DESCRIPTION	DESIGNATION	BEMERKUNG, REMARK, REMARQUE	10.01.91
1			1	ZYLINDER	RAM	VERIN	TAF.FIG.PLAN.090.603.51.0..0164	
2			2	ZYLINDER	RAM	VERIN	TAF.FIG.PLAN.090.603.55.0..0164	
3	3121615		1	WINKELHEBEL VR HL+BU	TOGGLE LEVER FR RL+B	LEVIER COUDE AV D AR G+DO	POS.5-7	
4	3121659		1	WINKELHEBEL VL HR+BU	TOGGLE LEVER FL RR+B	LEVIER COUDE AV G AR D+DO	POS.5-7	
5	2082433		2	DISTANZBU 70,0X 136	SPACER 70,0X 136	DOUILLE ENTRET 70,0X 136		
6	V 0306689		4	EINSPANNBUCHSE	SPLIT BUSH	DOUILLE DE TENSION		
7	V 0342990		4	EINSPANNBUCHSE	SPLIT BUSH	DOUILLE DE TENSION		
8	3120272		1	ABSTFUSS OT VR HL+BU	STAB FOOT UP FR RL+B	PIED STAB P S AV D AR G+D	POS.10-13	
9	3120261		1	ABSTFUSS OT VL HR+BU	STAB FOOT UP FL RR+B	PIED STAB P S AV G AR D+D	POS.10-13	
10	2082308		2	DISTANZBU 70,0X 54	SPACER 70,0X 54	DOUILLE ENTRET 70,0X 54		
11	V 0306689		4	EINSPANNBUCHSE	SPLIT BUSH	DOUILLE DE TENSION		
12	2082342		2	DISTANZBU 70,0X 94	SPACER 70,0X 94	DOUILLE ENTRET 70,0X 94		
13	V 0360583		4	EINSPANNBUCHSE	SPLIT BUSH	DOUILLE DE TENSION		
14	3120230		1	ABSTFUSS UT VR HL+BU	STAB FOOT LP FR RL+B	PIED STAB P I AV D AR G+D	POS.16	
15	3120227		1	ABSTFUSS UT VL HR+BU	STAB FOOT LP FL RR+B	PIED STAB P I AV G AR D+D	POS.16	
16	V 0342990		4	EINSPANNBUCHSE	SPLIT BUSH	DOUILLE DE TENSION		
17	0300569		6	SCHMIERNIPPEL	GREASE NIPPLE	GRAISSEUR		
18	V 2329102		4	LAGERBU 60/ 72X 50	BUSH 60/ 72X 50	COUSSINET 60/ 72X 50		
19	V 2216082		2	BOLZEN 6109 60X 355	PIN 6109 60X 355	BOULON 6109 60X 355		
20	0823845		4	SCHEIBE A3C	WASHER A3C	RONDELLE A3C		
21	1616415		4	KRONENMUTTER A3C	CROWN NUT A3C	ECROU CRENELE A3C		
22	1307206		4	SPLINT A3C	SPLIT PIN A3C	GOUPILLE FENDUE A3C		
23	1627236		4	SECHSKTSHR A3C	BOLT A3C	VIS A TETE SIX PA A3C		
24	2303066		4	DISTANZBU 31,8X 20	SPACER 31,8X 20	DOUILLE ENTRET 31,8X 20		
25	0893032		10	SCHEIBE A3C	WASHER A3C	RONDELLE A3C		
26	V 0666980		2	BOLZEN 60X 350/ 293	PIN 60X 350/ 293	BOULON 60X 350/ 293		
27	1615312		4	SECHSKTSHR A3C	BOLT A3C	VIS A TETE SIX PA A3C		
28	V 1964529		2	BOLZEN 6106 35X 230	PIN 6106 35X 230	BOULON 6106 35X 230		
29	V 2216059		2	BOLZEN 6109 60X 230	PIN 6109 60X 230	BOULON 6109 60X 230		
30	V 1964483		2	BOLZEN 6106 35X 185	PIN 6106 35X 185	BOULON 6106 35X 185		
31	0893087		2	SCHEIBE A3C	WASHER A3C	RONDELLE A3C		
32	1610782		2	SECHSKTSHR A3C	BOLT A3C	VIS A TETE SIX PA A3C		
33	2270873		2	A-BOLZ 6125 30X 255	PIN 6125 30X 255	BOULON 6125 30X 255		

ABSTUETZG. STARRACHSE 0165.565.51.	STABILIZER RIG.AXLE 0165.565.51.	STABILISAT.ESSIEU RIGIDE 0165.565.51.	ATLAS 1604 ZW SERIE 167	020.565.51.11.0165/01
---------------------------------------	-------------------------------------	------------------------------------------	----------------------------	-----------------------



POS NO.	CO DE	ORDER NO.	STK QNT	BENENNUNG	DESCRIPTION	DESIGNATION	BEMERKUNG, REMARK, REMARQUE	10.01.96
------------	----------	--------------	------------	-----------	-------------	-------------	-----------------------------	----------

34		0355213	2	FEDERSPLINT 8,0 2F	SPRING PIN 8,0 2-F	GOUP FENDUE RESS 8,0 DOUB		
35	V	3118643	2	BOLZEN 6107 60X 258	PIN 6107 60X 258	BOULON 6107 60X 258		
36		0470531	2	SCHEIBE	WASHER	RONDELLE		
37		1618206	2	FEDERRING A3C	SPRING WASHER A3C	RONDELLE A RESSORT A3C		
38		1640813	2	SECHSKTSHR A3C	BOLT A3C	VIS A TETE SIX PA A3C		
39		0410062	2	SCHEIBE A3C	WASHER A3C	RONDELLE A3C		
40		1309537	2	SPLINT A3C	SPLIT PIN A3C	GOUILLE FENDUE A3C		
41	V	1964632	2	BOLZEN 6106 45X 170	PIN 6106 45X 170	BOULON 6106 45X 170		
42		1627214	2	SECHSKTSHR A3C	BOLT A3C	VIS A TETE SIX PA A3C		
43		1879536	4	BLECH	PLATE	TOLE		
44		0775460	1	ABDECKBLECH	COVER PLATE	TOLE DE COUVERTURE		
44	+	4048093	1	ABDECKBLECH	COVER PLATE	TOLE DE COUVERTURE		
45		1331546	32	SECHSKTSHR A3C	BOLT A3C	VIS A TETE SIX PA A3C		
46		0393468	1	ANHAENGERKUPPLUNG	TRAILER COUPLING	DISP D'ATTEL DE REMORQUE		
47		1301868	4	FEDERRING A3C	SPRING WASHER A3C	RONDELLE A RESSORT A3C		
48		0893316	4	SECHSKTSHR A3C	BOLT A3C	VIS A TETE SIX PA A3C		
+				AB FABR. NR.: 138..42226	FROM SERIAL NO.: 138..42226	A PARTIR DU NO. DE FABR.: 138..42226		

ABSTUETZG. STARRACHSE	STABILIZER RIG.AXLE	STABILISAT.ESSIEU RIGIDE	ATLAS 1604 ZW	020.565.51.11,0165/02
0165.565.51.	0165.565.51.	0165.565.51.	SERIE 167	